



# YH1440/1441 Series OCXO

10 MHz – 100 MHz  
(Rev A)

GREENRAY INDUSTRIES, INC.

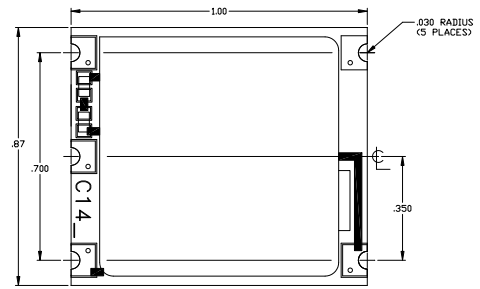
## PRECISION QUARTZ TECHNOLOGY

Miniature SMT Package  
Stratum 3 Compliant

### SPECIFICATIONS

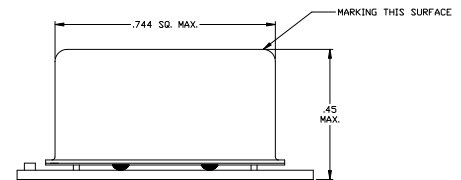
<b>Frequency</b>	10.0 MHz to 100.0 MHz	
<b>Output</b>	YH1440 - Squarewave, ACMOS YH1441 - Sinewave, 0dBm min into 50ohms	
<b>Harmonics</b>	-20dBc (Sinewave version)	
<b>Temp Stability</b>	<b>Temp Range</b>	<b>Tolerance</b>
	0 to +50°C	$\pm 1 \times 10^{-7}$
	-10 to +60°C	$\pm 1.5 \times 10^{-7}$
	-20 to +70°C	$\pm 2 \times 10^{-7}$
	-40 to +70°C	$\pm 5 \times 10^{-7}$
<b>Freq vs. Supply</b>	$\pm 3 \times 10^{-9}$ for a 5% change	
<b>Aging</b>	$\pm 2 \times 10^{-9}$ per day after 30 days (10 MHz typ)	
<b>Input Voltage</b>	available in +15, +12, +5, & +3.3VDC	
<b>Input Power</b>	Warmup - <5W for 5 minutes Idle - 2.0W max @ +25°C	
<b>Phase Noise</b> (typ @ 10 MHz)	10 Hz	-105 dBc/Hz
	100 Hz	-125 dBc/Hz
	1 kHz	-140 dBc/Hz
	10 kHz	-150 dBc/Hz
	100 kHz	-155 dBc/Hz
<b>Frequency Adjust</b>	$\pm 5.0$ ppm typ, positive slope 0 to +3.3 or +5.0V EFC	

**Option**  
B17  
G157  
N27  
T57



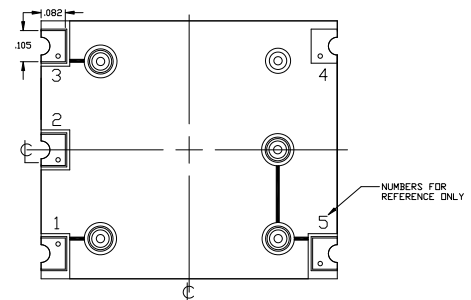
Ordering Example:

YH1440-N27-5  
(Model-Stability-Input V)



#### Pad Connections

- 1 - EFC
- 2 - N/C
- 3 - Supply V
- 4 - Output
- 5 - 0V/Gnd



To inquire about available custom parameters, please contact us at [sales@greenrayindustries.com](mailto:sales@greenrayindustries.com).

840 West Church Rd., Mechanicsburg, PA 17055  
Tel: 717-766-0223 Fax: 717-790-9509  
[www.greenrayindustries.com](http://www.greenrayindustries.com) email: [sales@greenrayindustries.com](mailto:sales@greenrayindustries.com)