



YH1420/1421 Series OCXO

10MHz – 100MHz

(Rev -)

GREENRAY INDUSTRIES, INC.

PRECISION QUARTZ TECHNOLOGY

Miniature Package
Meets Stratum 3 Requirements

SPECIFICATIONS

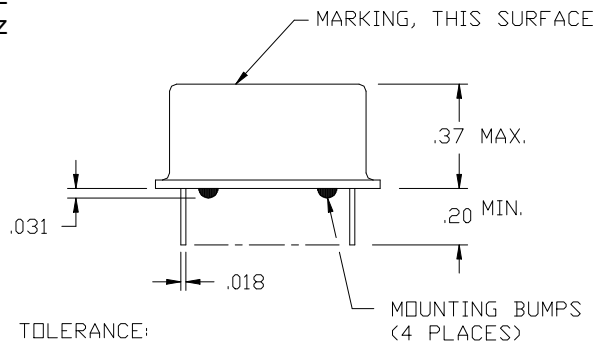
Frequency	10.0 MHz to 100.0 MHz		
Output	YH1420 - Squarewave, ACMOS YH1421 - Sinewave, 0dBm min into 50ohms		
Harmonics	-20 dBc (Sinewave version)		
Symmetry	50% ± 10% (Squarewave version)		
Temp Stability	Temp Range	Tolerance	Option
	-10 to +60°C	±1x10 ⁻⁷	G17
	-20 to +70°C	±2x10 ⁻⁷	N27
	-40 to +85°C	±3x10 ⁻⁷	T37
Freq vs. Supply	±3x10 ⁻⁹ for a 5% change		
Aging	±2x10 ⁻⁹ per day after 30 days (10 MHz typ)		
Input Voltage	available in +5 or +3.3 VDC		
Input Power	Warmup - <3W for 5 minutes Idle - <1.0W @ +25°C		
Phase Noise	10 Hz	-95 dBc/Hz	
(typ @ 10M Hz)	100 Hz	-125 dBc/Hz	
	1 kHz	-140 dBc/Hz	
	10 kHz	-150 dBc/Hz	
	100 kHz	-155 dBc/Hz	
Frequency Adjust	±5.0 ppm typ, positive slope 0 to Vsupply EFC		

Ordering Example:

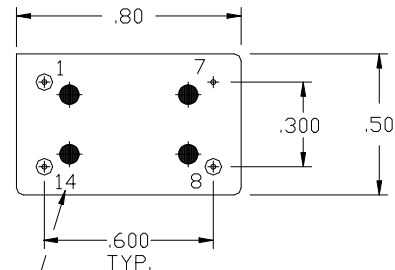
YH1420-N27-5
(Model-Stability-Input V)

Pin Connections

- 1 - EFC
- 7 - 0V/Gnd
- 8 - Output
- 14 - Supply V



TOLERANCE:
2 PLACE ±.02
3 PLACE ±.005



NUMBERS FOR REF. ONLY

To inquire about available custom parameters, please contact us at sales@greenrayindustries.com.

840 West Church Rd., Mechanicsburg, PA 17055

Tel: 717-766-0223 Fax: 717-790-9509

www.greenrayindustries.com email: sales@greenrayindustries.com