



T1220 Series TCXO

10MHz – 50MHz
(Rev F)

GREENRAY INDUSTRIES, INC.

PRECISION QUARTZ TECHNOLOGY

Dual Compensation
Tight Stability

SPECIFICATIONS

Frequency	10.0 MHz to 50.0 MHz		
Output	T1220 – CMOS Squarewave; T1221 - Clipped Sinewave		
Load	T1220 - 15pF; T1221 – 10pf / 10kohms		
Symmetry	50% ± 10% (squarewave version)		
Temp Stability	Temp Range	Tolerance	Option
	-40 to +85°C	±3x10 ⁻⁸	T38
	-40 to +85°C	±5x10 ⁻⁸	T58
	(fmax-fmin)/2xfmin; EFC at center of range		
	Trim effect ≤ ±0.1ppM over 0 to Vs EFC and temp.		
	Hysteresis not included.		
Freq vs. Supply	±1x10 ⁻⁷ for a 5% change		
Aging	±5x10 ⁻⁷ per year		
Supply V	+5.0 or +3.3 VDC ± 5%		
Input Current	25mA max		
Phase Noise	Offset	dBc/Hz	
(10MHz CMOS typ)	10 Hz	-90	
	100 Hz	-120	
	1 kHz	-140	
	10 kHz	-150	
	100 kHz	-155	
Accel Sensitivity	≤2.5x10 ⁻⁹ /g (SD option); or ≤7x10 ⁻¹⁰ /g (LG option)		
Frequency Adjust	±7ppM typ; via 0 to Vsupply EFC; positive slope		
Environmental			

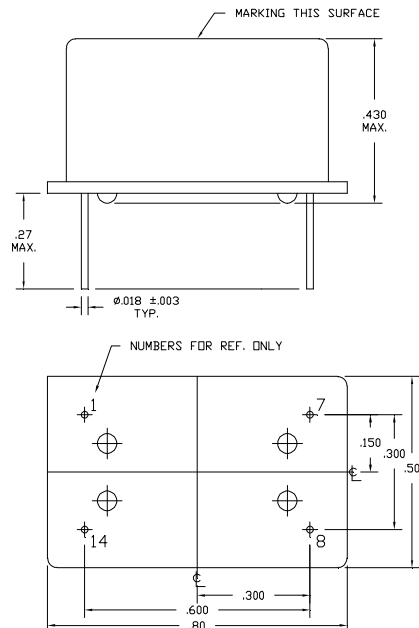
Storage Temp: -55 to +95°C
 Random Vibration: MIL-STD-202, Meth 214, Cond I-J
 Sine Vibration: MIL-STD-202, Meth 204, Cond D
 Shock: MIL-STD-202, Meth 213, Cond F

Ordering Example:

T1220-T58-3.3-10MHz
 (Model-Stab-InpV-Freq)

Pin Configuration

- Pin 1 EFC
- Pin 7 0V / Case Gnd
- Pin 8 Output
- Pin 14 Input V



To inquire about available custom parameters please contact us at sales@greenrayindustries.com.

840 West Church Rd., Mechanicsburg, PA 17055

Tel: 717-766-0223 Fax: 717-790-9509

www.greenrayindustries.com email: sales@greenrayindustries.com